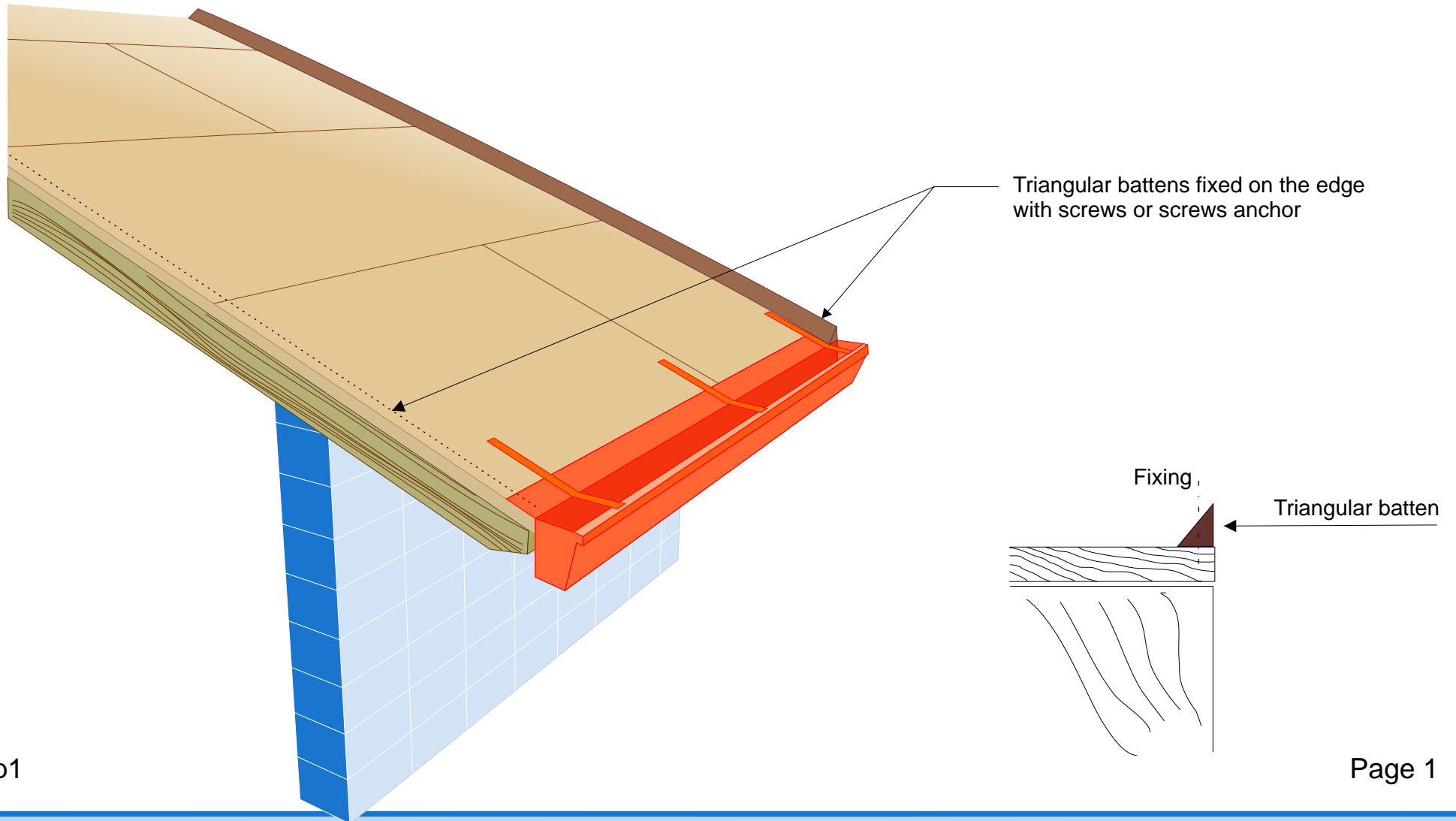


INSTALLATION INSTRUCTION
Latreal detail
Triangular lateral flashing used at the rakes



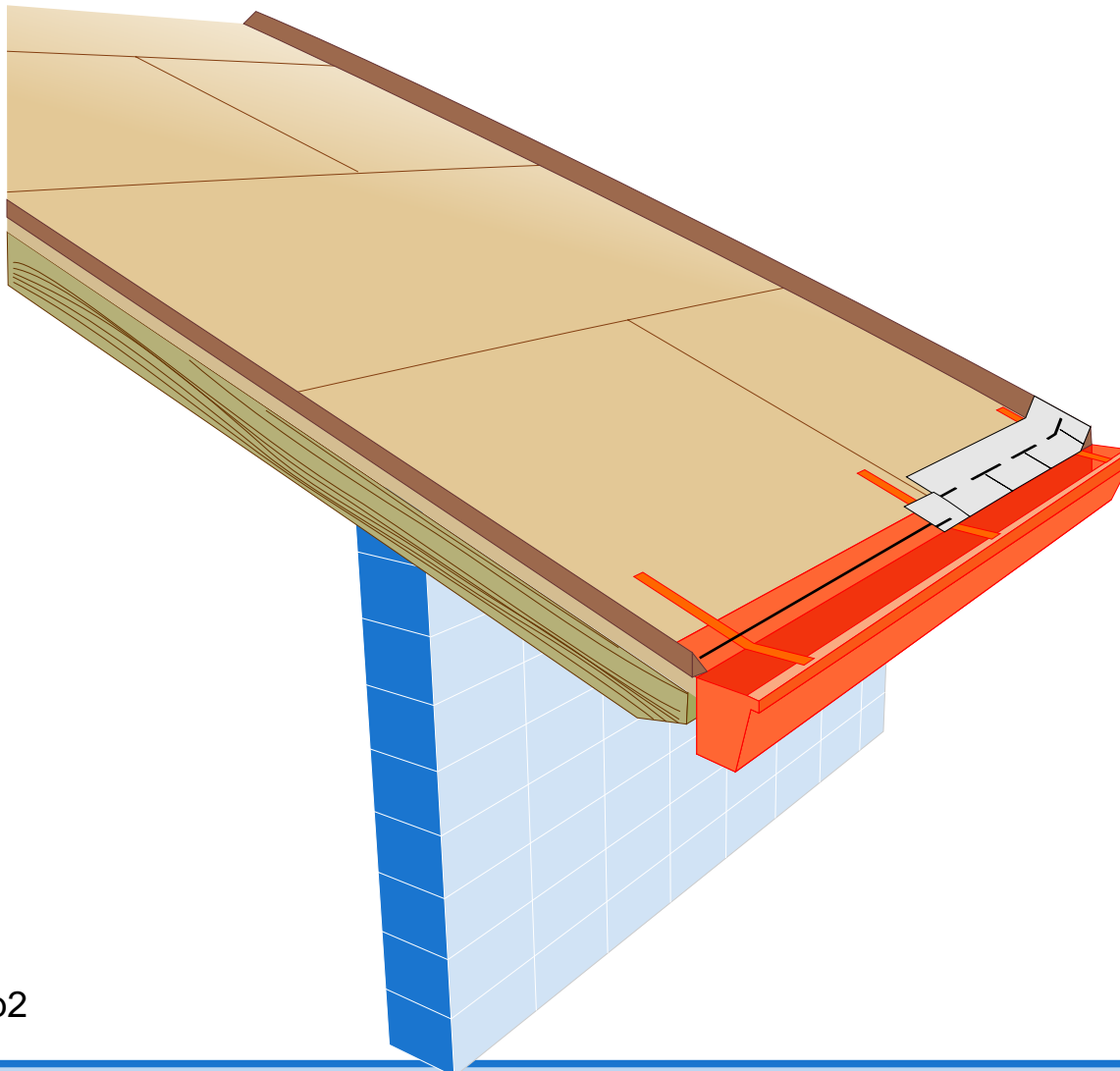
Step1

Page 1

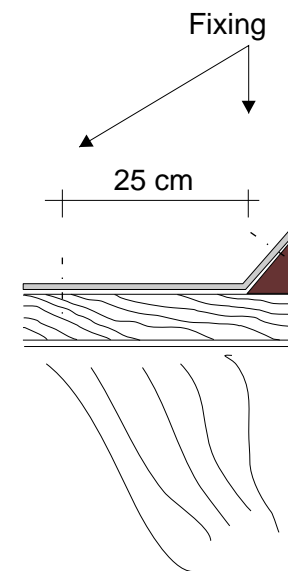
INSTALLATION INSTRUCTION

Latreal detail

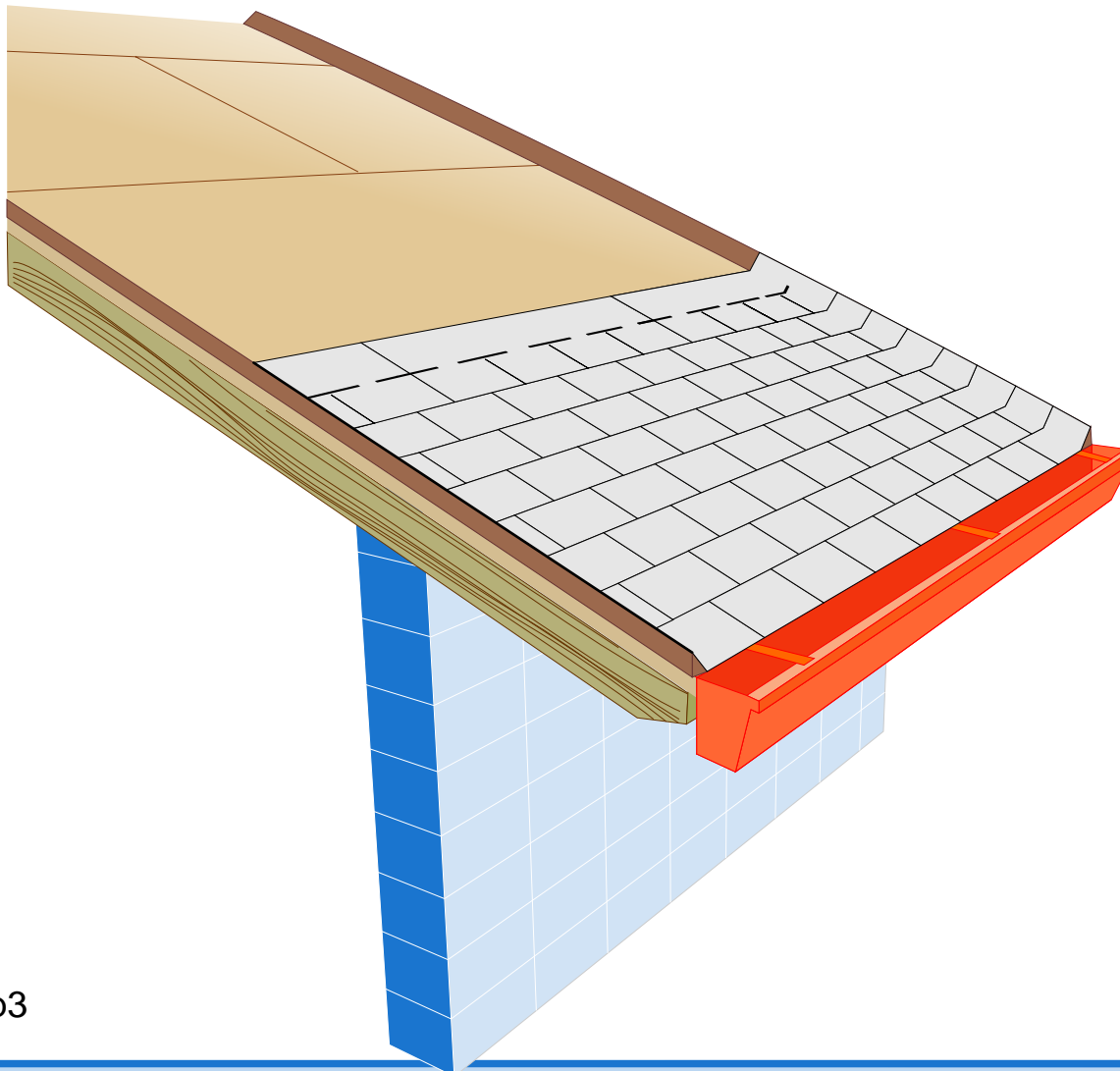
Triangular lateral flashing used at the rakes



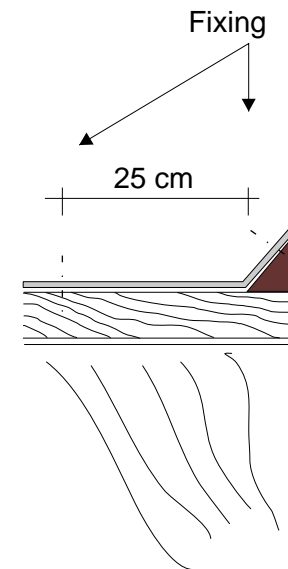
To install the bituminous shingles follow the “installation instruction” but do not fix them with nails at a distance less than 25 cm from lateral edge (see pict. Under here). At the lateral edge fix them on the wood battens.



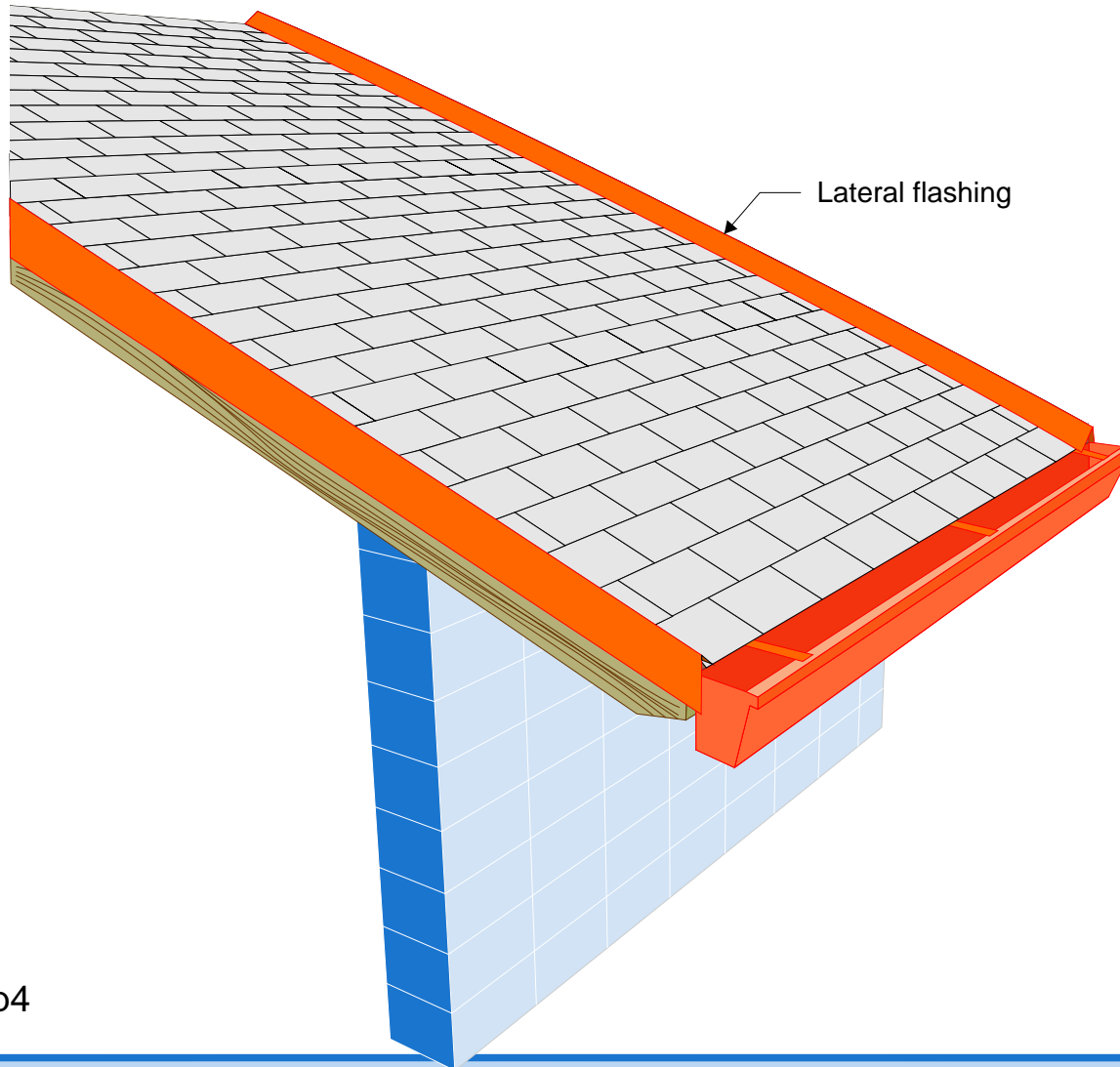
INSTALLATION INSTRUCTION
Latreal detail
Triangular lateral flashing used at the rakes



Continue and complete the pitch
in the same way



INSTALLATION INSTRUCTION
Latreal detail
Triangular lateral flashing used at the rakes



Installed lateral flashing. Fix it at the rafter sideways (see pict. Under here).

