

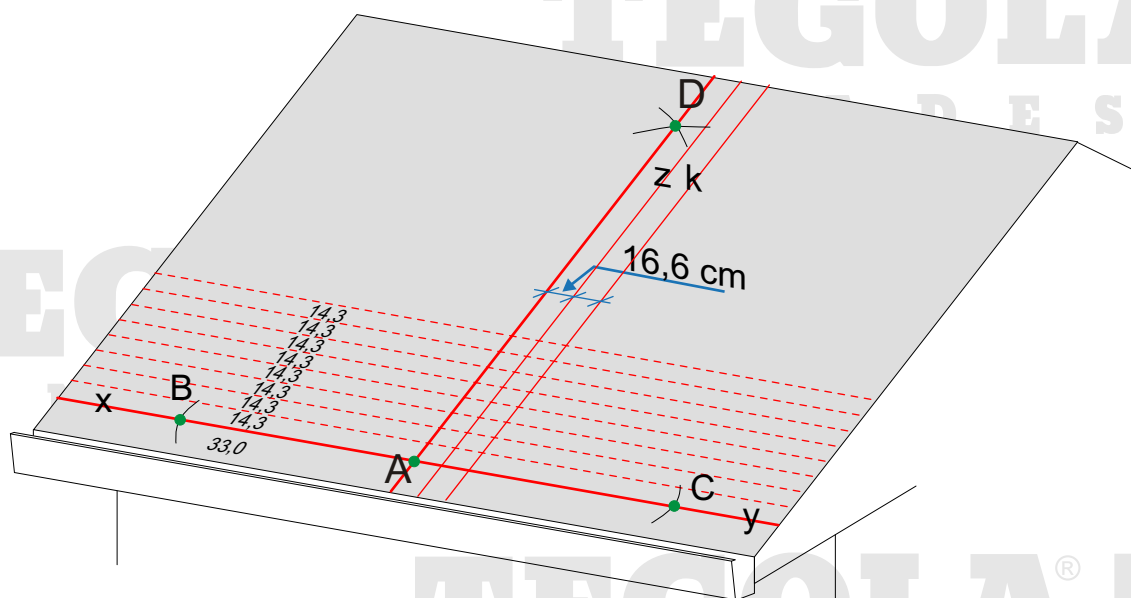
## INTRODUCTION

The easy and correct installation of asphalt shingles depends entirely on the roof deck being smooth, continuous, clean, and dry .

The roof deck can be built with wood materials (such as seasoned tongue or groove planks , plywood, cement and wood fibre board, etc.) properly supported, or with a light cement layer on top of the concrete deck.

## MARKING OUT THE ROOF

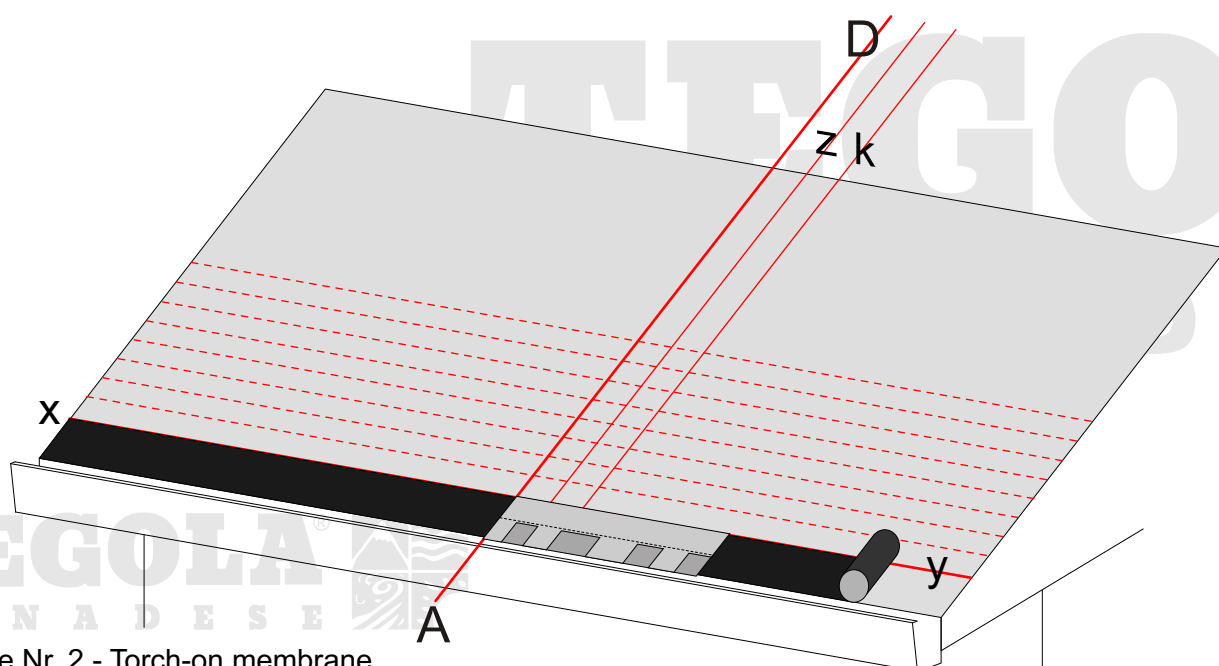
- Mark a line xy orthogonal to the direction of maximum slope of the roof (usually parallel to the eaves and to the gutter and at 33 cm from the gutter) ;
- Mark along the line xy a point A in the centre of the pitch ;
- Mark points B e C, at either side from A (for example at 150 cm);
- Starting from B and C by using a chalk line as a compass, mark point D as near as possible to the Ridge.
- Join A with D;
- Mark one line parallel to line AD at 16,6 cm (z) and another line parallel to line AD at 33,3 cm (k).
- Starting from the line xy, mark horizontal and parallel lines to the line xy, at a distance of 14,3 cm
- from each other up to the ridge (Pict. Nr. 1);



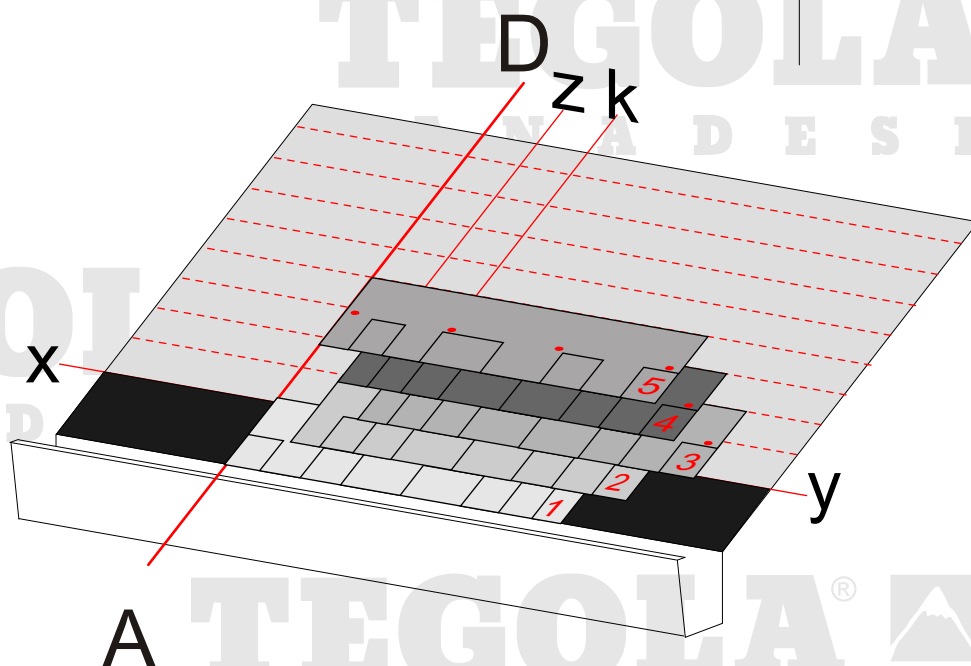
Picture Nr. 1 - Marking out the roof

### INSTALLATION

- Apply along the eaves 25 cm of torch-on membrane (see Pict. Nr. 2);
- Install the first row of Master shingles along the line AD (Pict. Nr. 2).
- Install the second line of Master shingles along line z (Pict. Nr. 3).
- Install the third line of Master shingles along line k (Pict. Nr. 3).
- The installation of the fourth row of Master shingles starts aligning again the shingle to line z (Pict. Nr. 3).
- The installation of the fifth row of Master shingles starts aligning again the shingle to line AD. (Pict. Nr. 3).
- Repeat this installation method until all pitches are completed.
- The trimming and aligning operations are simplified following the cuts on the upper edge of each bituminous shingle.



Picture Nr. 2 - Torch-on membrane



Picture Nr. 3 Sequence of 5 shingles

## SLOPES

Minimum slope for the installation of the shingles with nails is 35% (20 degrees)

For roofs in the mountainside or with a pitch longer than 7,00 ml, please visit our web site or contact our Customer Service.

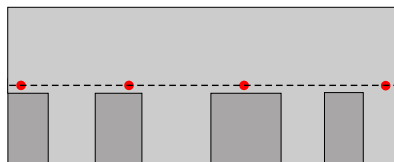
## FIXING WITH NAILS

Use large headed roofing nails for the roof, zinc plated or galvanized, high adherence, with a length suitable to the thickness and type of roof deck.

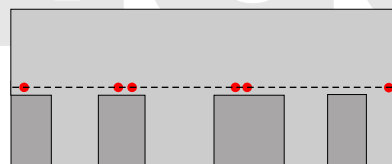
Apply 4 nails on each bituminous shingle, MASTER, positioned exactly as shown in Picture 4.

Make sure that the nails anchor also the underneath bituminous shingle.

**N.B.:** For slopes exceeding 160% (60 degrees) apply 6 nails on each bituminous shingle and double the number of nails on the second and third position from the left as shown in Picture 5.



Picture Nr. 4



Picture Nr. 5

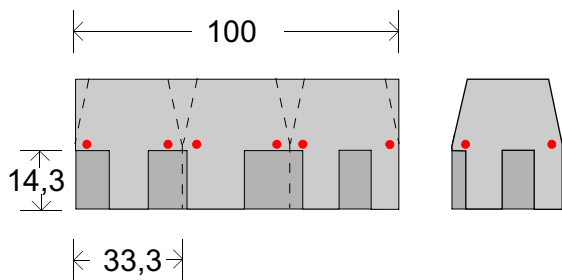
## RIDGES

Install the last row of bituminous shingles up to the ridge line and then bend it over the exceeding part, in order to waterproof the ridge.

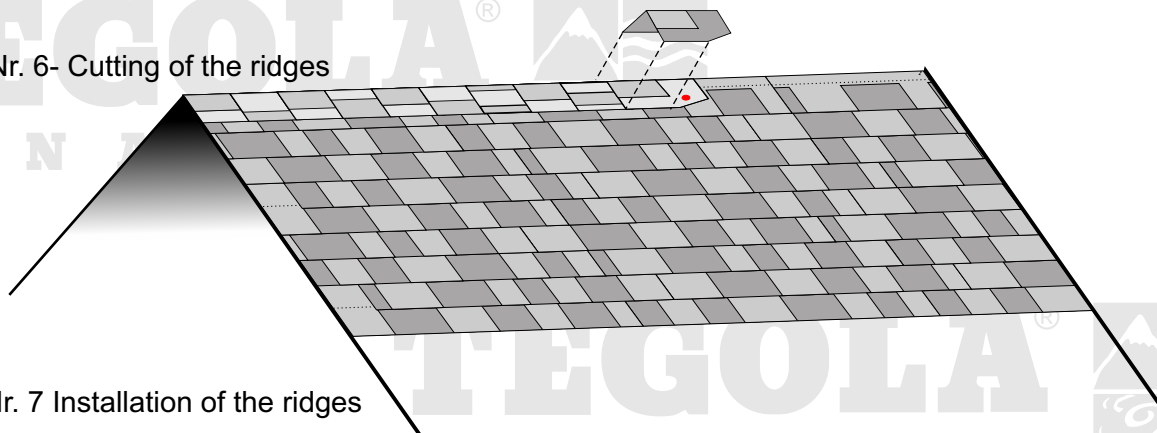
To obtain the ridges, cut the bituminous shingles into 3 pieces (Picture 6). Before installing bend carefully and position them over the ridge line (see Picture 7). If necessary heat them on the reverse, sanded side.

Fix the ridges with 2 nails on each piece which will be overlapped by the following piece (Picture 8).

The exposure of the ridge is 14,5 cm.



Picture Nr. 6- Cutting of the ridges



Picture Nr. 7 Installation of the ridges

## VALLEY

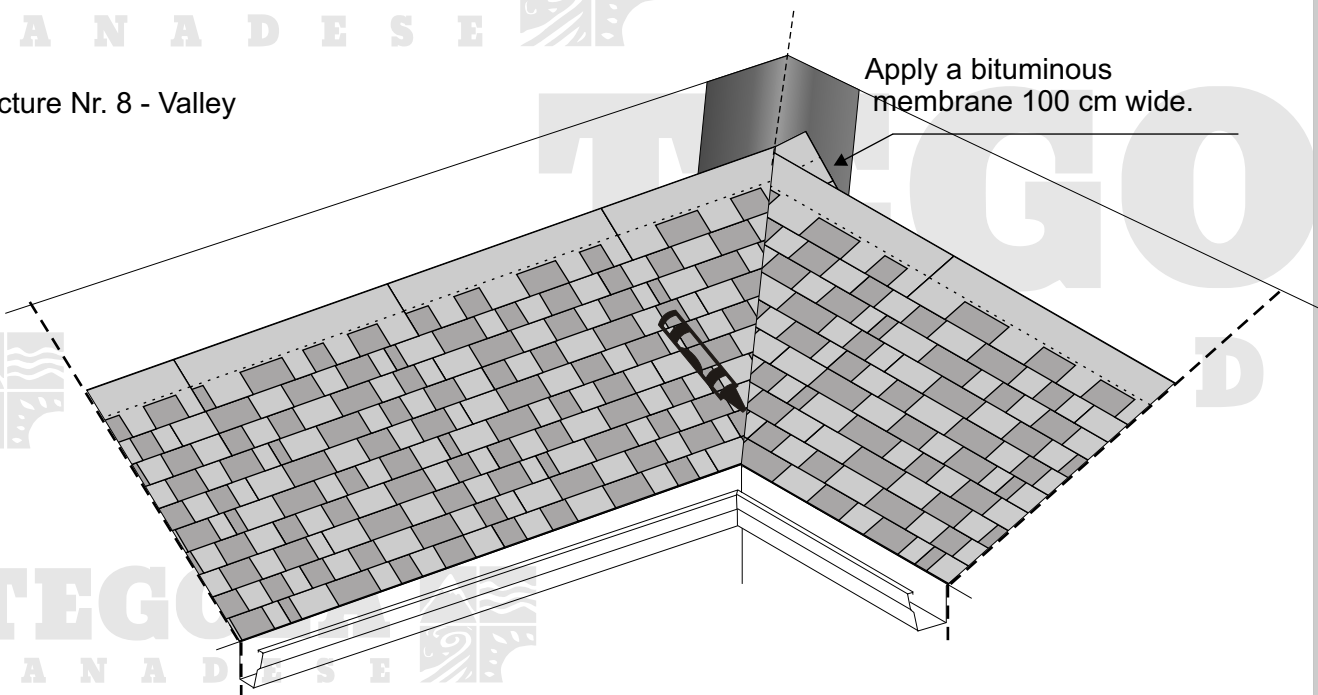
Tegola torch on underlay (100 cm - wide) should be torched down the center line of the valley, then the shingles have to be torched on into this membrane.

The shingles of one side of the roof should be extended 25 cm width beyond the center line and the shingles from the other side must arrive at least at the center of the valley.

After completing the installation of the second pitch, mark the axis of the valley by using the chalk line, cut then the bituminous shingles of the second pitch, following the line you marked to obtain a linear cut of them on the centre of the valley. In the end seal everything with Bitustick. Avoid fixing with nails at less than 40 cm from the axis of the valley (Pict. Nr. 8).

Picture Nr. 8 - Valley

Apply a bituminous membrane 100 cm wide.



## DETAILS

All the details (junctions, valleys, chimneys, etc..) can be carried out with flashings (copper, painted metal sheets, etc.) or bituminous membrane, and everything will be simplified by using the products TEGOLA CANADESE.

Roof accessories such as: roof windows, snow stoppers, aerators and other accessories from Tegola Canadese make the installation and finishing of the roof easier.

The shingles MASTER, are supplied with self-adhesive points that soften with the heat and stick the shingles together, avoiding the wind to lift them up. With cold weather or in very windy areas this does not automatically happen and the adhesive points have to be heated up with a torch, and the shingles have to be pressed down to assure that they stick together.

## WARNING

- DO NOT STORE THE PALLET ONE ON THE TOP OF THE OTHER TO AVOID THAT THE BITUMINOUS SHINGLES STICK TOGETHER INSIDE THE BUNDLE.
- DO NOT EXPOSE THE PALLETS TO ATMOSPHERIC AGENTS NOR TO HEAT.
- USE ONE SINGLE PRODUCTION CODE FOR THE INSTALLATION OF ONE ROOF DECK.
- AT THE TIME OF INSTALLATION THE SHINGLES' TEMPERATURE MUST BE NOT LESS